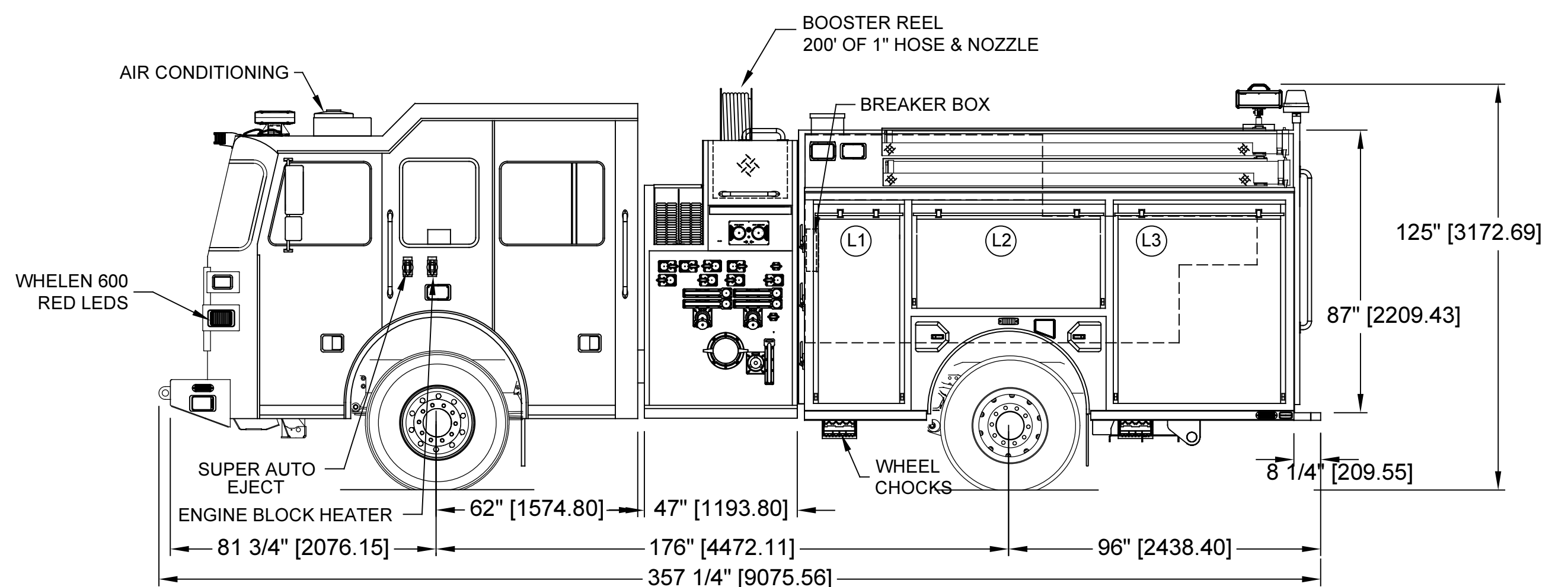
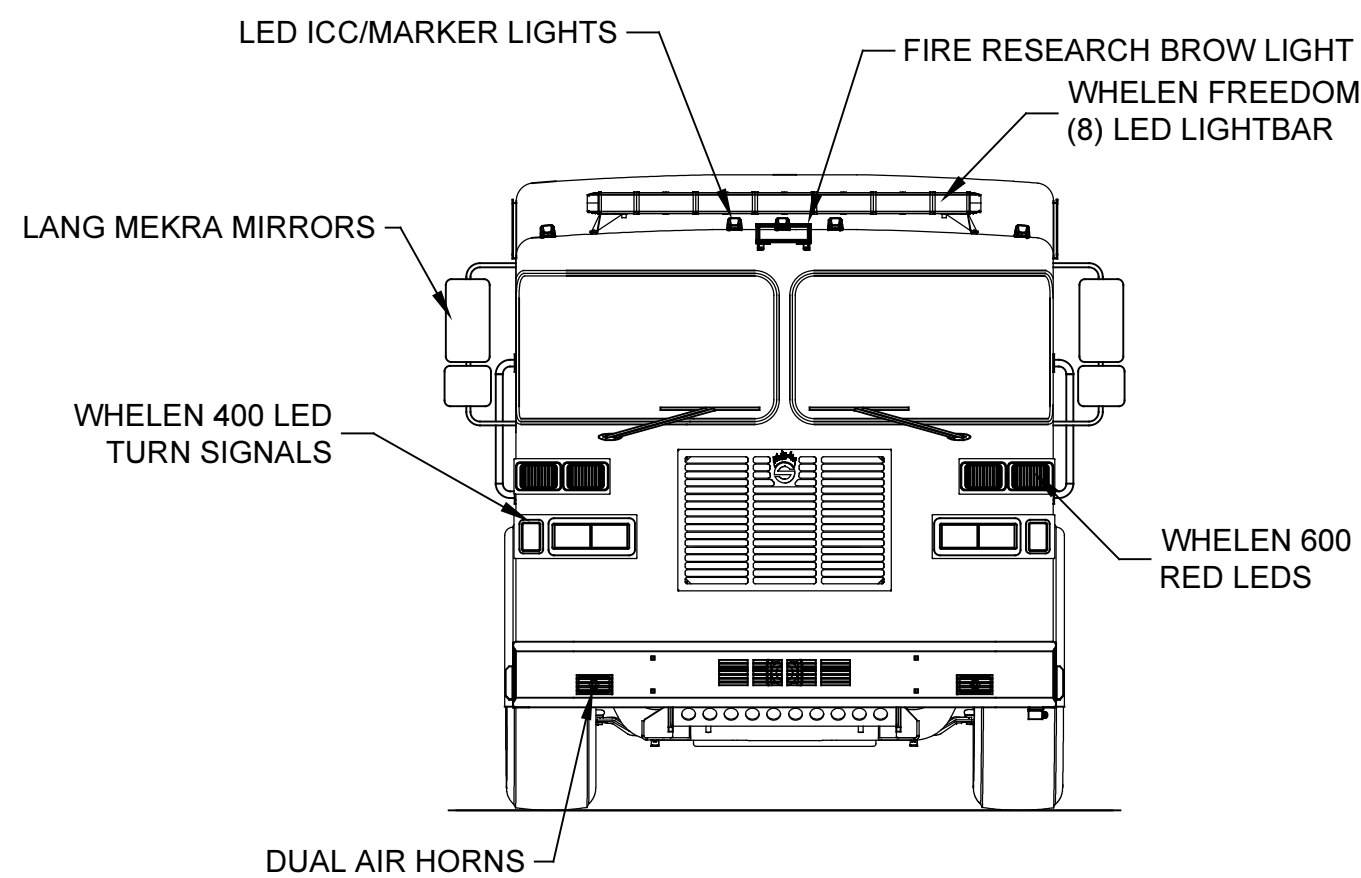
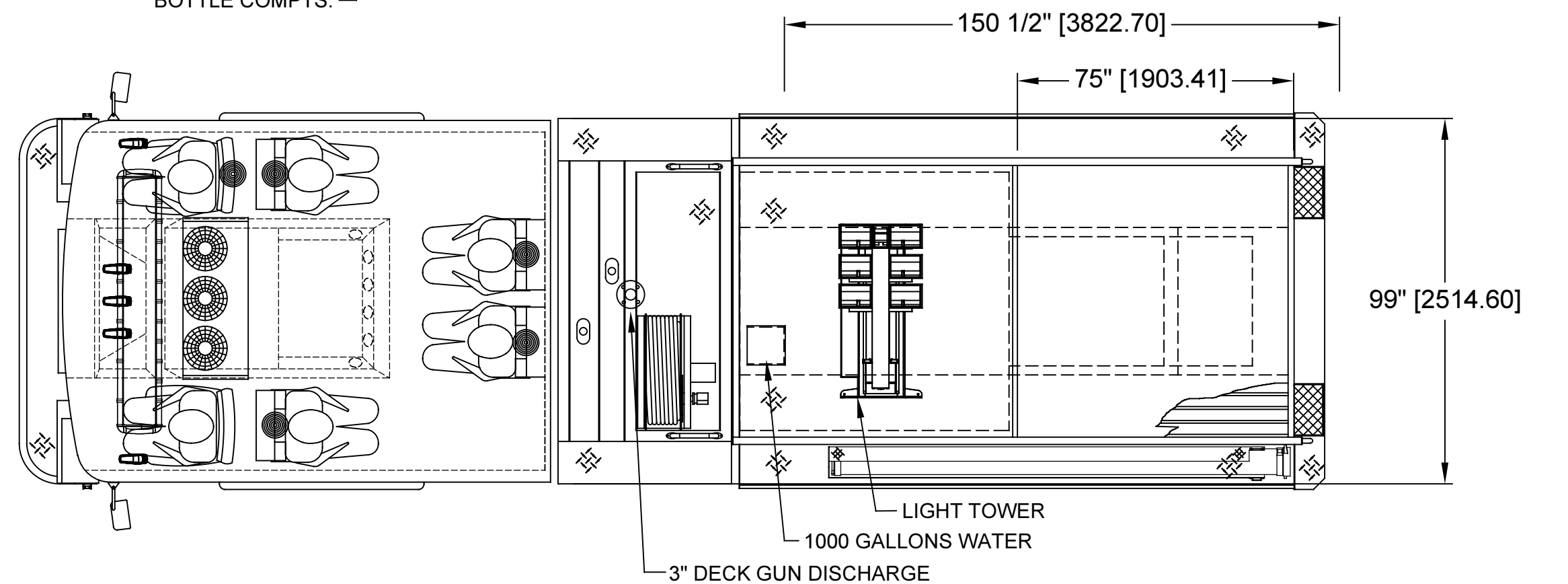


LEFT SIDE COMPARTMENTS				
COMPT	DOORS	OPENING DIMENSIONS w X h	INSIDE DIMENSIONS w X h X d	VOLUME CUBIC METER
L1	ROLL-UP	648 mm x 1459mm	790mm x 1676mm x 694mm	0.85 (305h X 320d UPPER)
L2	ROLL-UP	1461mm x 716mm	1565mm x 933mm x 694mm	0.88 (305h X 320d UPPER)
L3	ROLL-UP	1283mm x 1459mm	1356mm x 1676mm x 694mm	1.44 (305h X 320d UPPER)

RIGHT SIDE COMPARTMENTS				
COMPT	DOORS	OPENING DIMENSIONS w X h	INSIDE DIMENSIONS w X h X d	VOLUME CUBIC METER
R1	ROLL-UP	648 mm x 1307mm	790mm x 1422mm x 694mm	0.82 (305h X 320d UPPER)
R2	ROLL-UP	1461mm x 564mm	1565mm x 781mm x 694mm	0.79 (305h X 320d UPPER)
R3	ROLL-UP	1283mm x 1307mm	1356mm x 1016mm x 787mm	1.42 (305h X 320d UPPER)

REAR STEP COMPARTMENT				
COMPT	DOORS	OPENING DIMENSIONS w X h	INSIDE DIMENSIONS w X h X d	VOLUME CUBIC METER
A1	ROLL-UP	953mm x 833mm	1016mm x 1016mm x 787mm	0.82
TOTAL: 7.02 CU. M				



DIMENSIONS SHOWN ON THIS DRAWING ARE APPROXIMATE AND ARE SUBJECT TO MINOR DEVIATIONS DURING CONSTRUCTION.

IN THE EVENT OF A DISCREPANCY BETWEEN THE SUTPHEN SPECIFICATIONS AND DRAWING, THE SUTPHEN SPECIFICATIONS SHALL PREVAIL.

DRAWING IS FOR REFERENCE ONLY. SOME ITEMS PROPOSED MAY NOT BE SHOWN OR NOTED.

CUSTOMER APPROVAL

NAME: _____

TITLE: _____

DATE: _____

REV.	DESCRIPTION	BY	DATE
-	-	-	-

THIS PRINT IS PROVIDED ON A RESTRICTED BASIS AND IS NOT TO BE USED IN ANY WAY DETRIMENTAL TO THE INTEREST OF SUTPHEN CORPORATION.

DRAWN BY:
L.RICH

DATE:
11.28.2018

MFG. FACILITY:
DUBLIN

SUTPHEN

CARRO MULTIPROPOSITO SEMI URBANO CHILE

CUSTOM PUMPER - PA-1 BODY

DWG. NO.: HS-XXXX