

LEFT SIDE COMPARTMENTS				
COMPT	DOORS	OPENING DIMENSIONS	INSIDE DIMENSIONS	VOLUME CUBIC METER
L1	ROLL-UP	902w X 1742h	1095w X 2073h X 693d	1.43
L2	ROLL-UP	1397w X 1069h	1565w X 1331h X 693d	1.24
L3	ROLL-UP	1232w X 1742h	1356w X 2073h X 693d	1.78
H1	LIFT-UP	483w X 1412i / 483w X 2210i	4242w X 254h X 554d	0.44

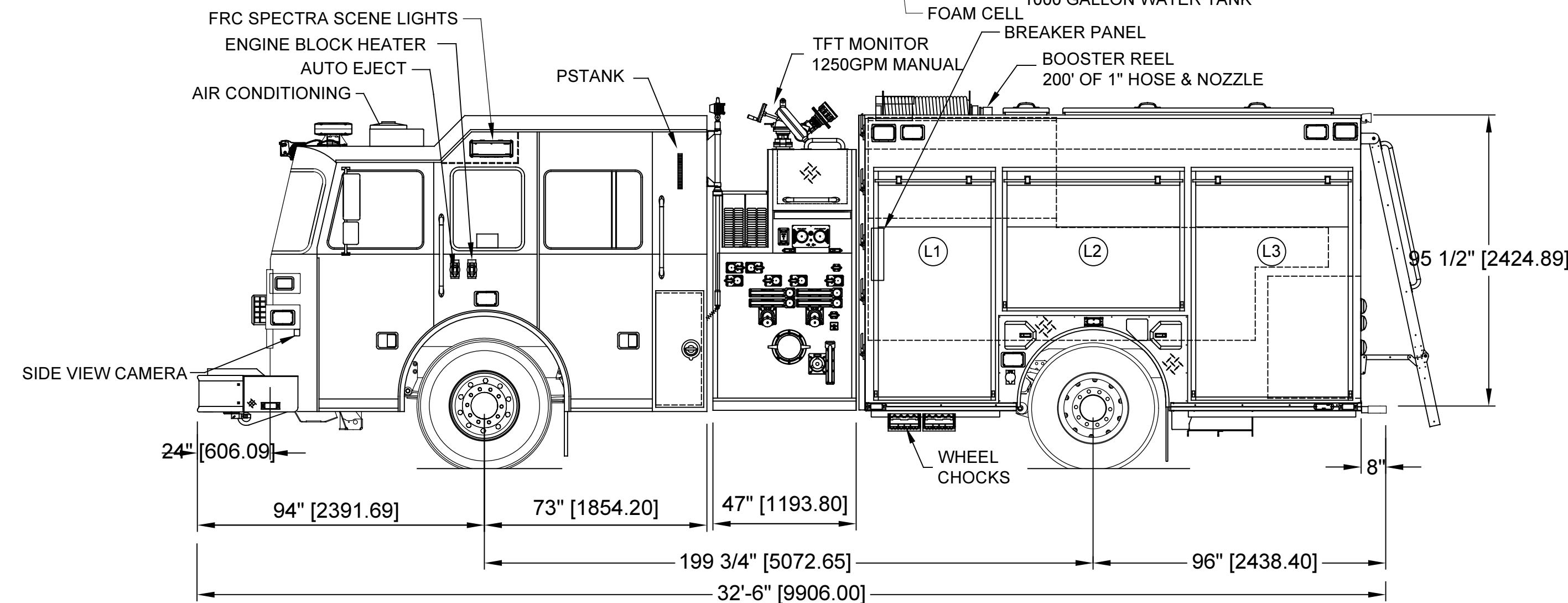
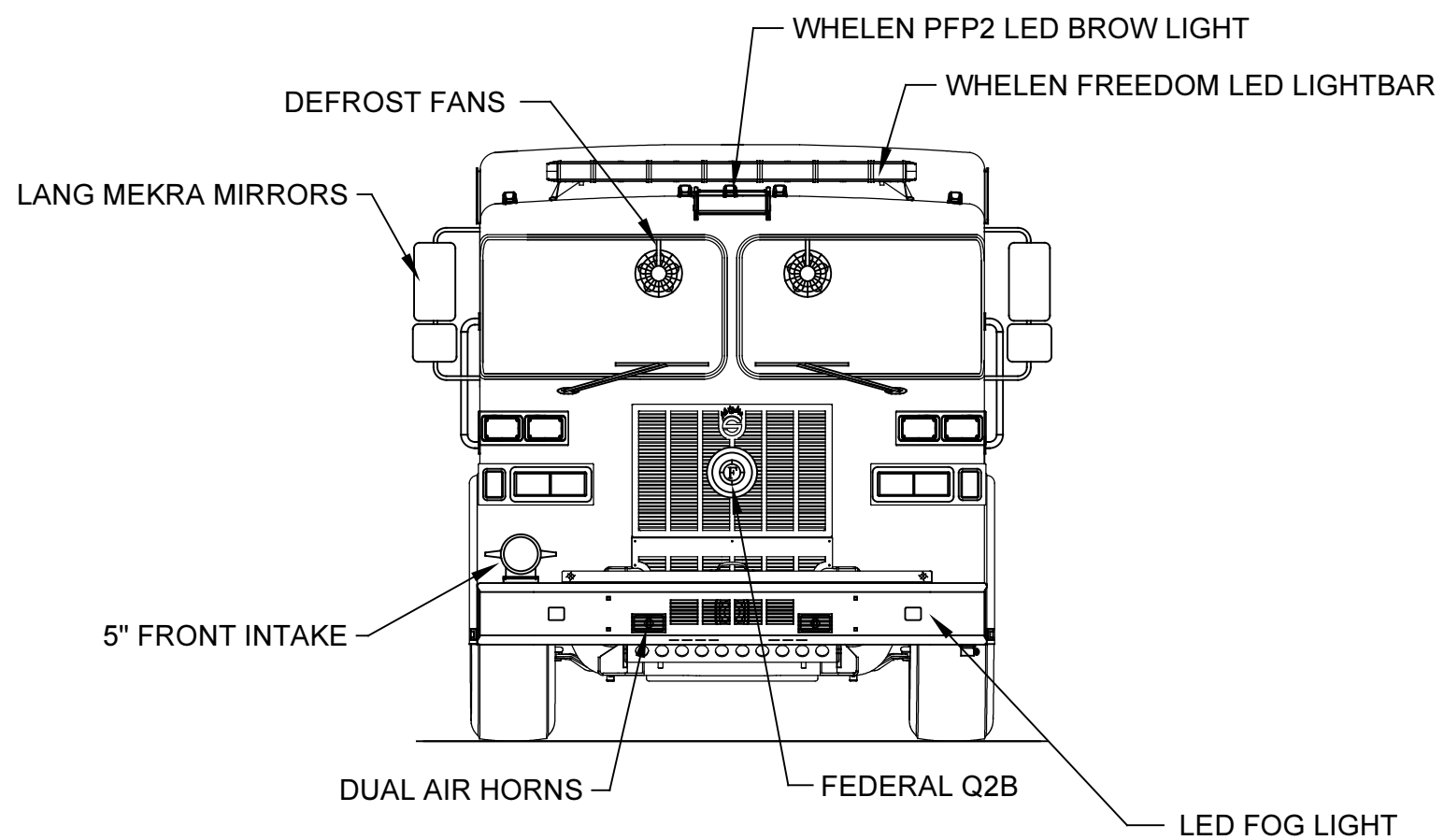
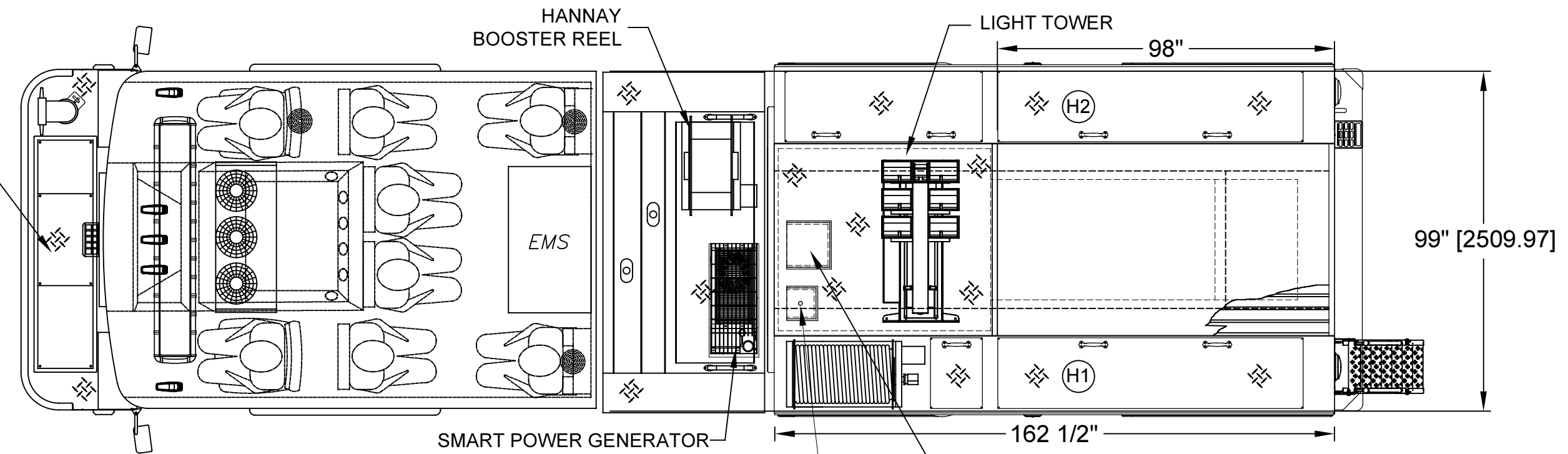
RIGHT SIDE COMPARTMENTS				
COMPT	DOORS	OPENING DIMENSIONS	INSIDE DIMENSIONS	VOLUME CUBIC METER
R1	ROLL-UP	902w X 1742h	1095w X 2073h X 693d	1.27
R2	ROLL-UP	1397w X 1069h	1565w X 1331h X 318d	0.91
R3	ROLL-UP	1232w X 1742h	1356w X 2073h X 693d	1.58
H2	LIFT-UP	483w X 1412i / 483w X 2210i	4110w X 254h X 554d	0.56

\*R1 HAS 1095w X 622h X 318d & R3 HAS 1356w X 622h X 318d MIDDLE SECTIONS

REAR STEP COMPARTMENT				
COMPT	DOORS	OPENING DIMENSIONS	INSIDE DIMENSIONS	CUBIC METER
A1	ROLL-UP	953w X 833h	1016h X 1016w X 787d	0.81
TOTAL:				10.02

(650h X 495d UPPER)  
(650h X 495d UPPER)  
(650h X 495d UPPER)

HOSE TROUGH W/LID  
(650h X 267d UPPER)  
(650h X 267d UPPER)  
(650h X 267d UPPER)



DIMENSIONS SHOWN ON THIS DRAWING ARE APPROXIMATE AND ARE SUBJECT TO MINOR DEVIATIONS DURING CONSTRUCTION.

IN THE EVENT OF A DISCREPANCY BETWEEN THE SUTPHEN SPECIFICATIONS AND DRAWING, THE SUTPHEN SPECIFICATIONS SHALL PREVAIL.

DRAWING IS FOR REFERENCE ONLY. SOME ITEMS PROPOSED MAY NOT BE SHOWN OR NOTED.

CUSTOMER APPROVAL

NAME: \_\_\_\_\_

TITLE: \_\_\_\_\_

DATE: \_\_\_\_\_

**PLANO REFERENCIAL CON OPCIONALES, MERAMENTE ILUSTRATIVO PARA USO DE BOMBEROS DE CHILE**

REV.	DESCRIPTION	BY	DATE

THIS PRINT IS PROVIDED ON A RESTRICTED BASIS AND IS NOT TO BE USED IN ANY WAY DETRIMENTAL TO THE INTEREST OF SUTPHEN CORPORATION.

DRAWN BY:  
L.RICH

DATE:  
8.3.2018

MFG. FACILITY:  
DUBLIN

**SUTPHEN**

CARRO MULTIPROPOSITO PESADO CHILE

CUSTOM PUMPER - PA17 BODY

DWG. NO.: HS-XXXX